

# *Series CFV*

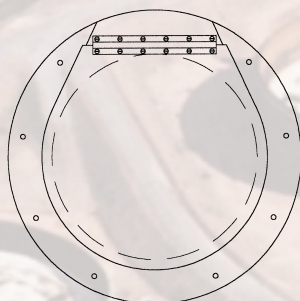
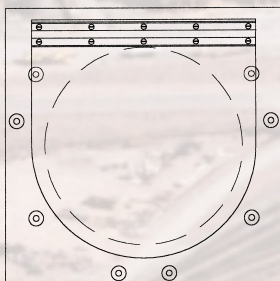
## **CIRCULAR FLEXIBLE HINGE WALL & FLANGE MOUNTING FLAP VALVES**

### **100mm to 600mm Diameter**

The series CFV is a light duty range of wall or flange mounted flap valves suitable for prevention of reverse flow of water in pipelines, land drainage outfalls, headwalls and sewers.

#### ***Advantages***

- Lightweight design - reduced weight when compared to the cast iron equivalent offers easier handling, installation and reduced civil work
- Low head loss characteristics
- Corrosion free materials
- Maintenance free
- No protective coatings required
- Suitable for both wall and PN16 drilled pipe flanges
- Ex-stock availability



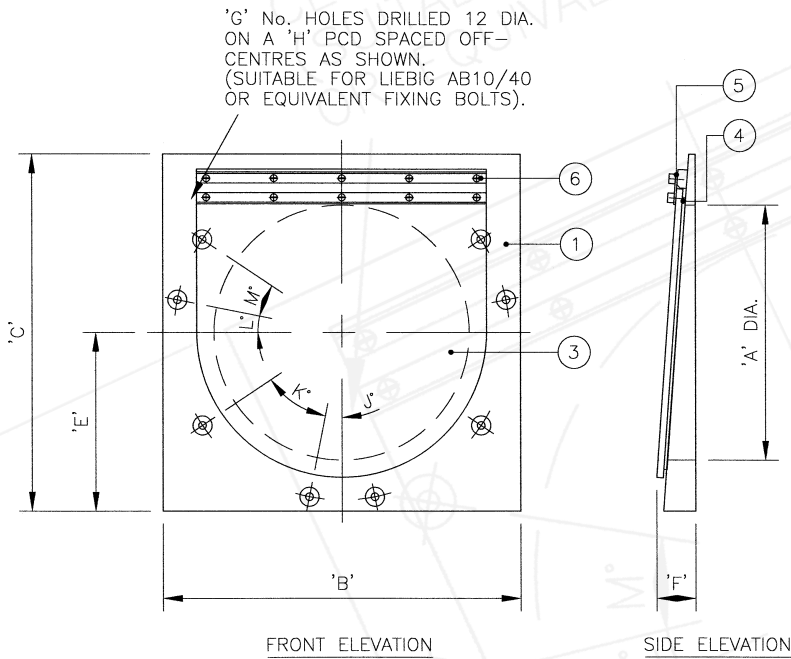
#### ***Features***

- 6 metre on seating static head conditions
- Flexible hinge system
- Higher design heads are available

# Specifications

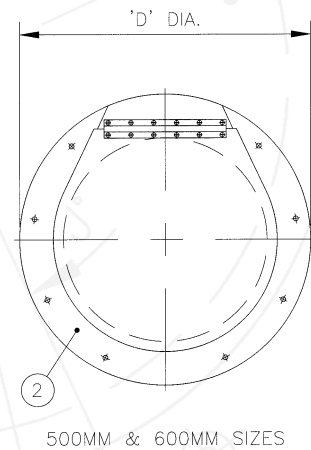
## SERIES CFV CIRCULAR FLAP VALVES

Size Range: 100mm Dia. to 600mm Dia. Nominal Bore



Operating Duty	
Application:	Prevents reverse flow
Type of Mounting:	Wall or PN16 Flanges
Type of Media:	Water and Sewage
Operating Head:	6 Metres on-seating

Options	
Design Heads:	Higher head designs available
Size Range:	100mm to 600mm dia. nominal bore



Construction Materials		
ITEM	DESCRIPTION	MATERIAL
1	Body	HMWP (PE55)
2	Body	UPVC
3	Door	UPVC
4	Seal	Neoprene
5	Flexible Hinge	Black Polyurethane
6	Fasteners	Stainless Steel, BS 6105, Gr A4

Dimensions and Weights												
'A'	'B'	'C'	'D'	'E'	'F'	'G'	'H'	'J'	'K'	'L'	'M'	WEIGHT (KG)
100	200	222	-	111	50	4	180	22.5	-	22.5	-	1.5
150	250	285	-	142	50	4	240	22.5	-	22.5	-	2.5
200	332	332	-	166	60	4	295	15	-	15	-	3.5
225	332	332	-	166	60	4	324	22.5	-	22.5	-	4.5
250	380	370	-	185	60	6	335	15	30	15	-	6
300	430	420	-	210	60	6	410	15	30	15	-	7
350	500	480	-	250	60	6	470	11.25	45	11.25	-	9
400	560	560	-	280	60	8	525	11.25	45	11.25	22.5	11
450	620	590	-	295	80	8	585	27	36	9	36	13
500	-	-	715	-	140	8	650	27	36	9	36	16
600	-	-	840	-	152	8	770	27	36	9	36	22



SUPPLIERS OF PENSTOCKS TO THE WATER INDUSTRY

Midland Valves

42 Chaddesley Close | Lodge Park | Redditch | Worcestershire | B98 7ND  
Tel: 01527 517542 | Fax: 01527 518087 | Email: mike@midlandvalves.fsnet.co.uk



CHAMBER OF COMMERCE  
HEREFORDSHIRE & WORCESTERSHIRE  
Delivering Business Link Services